

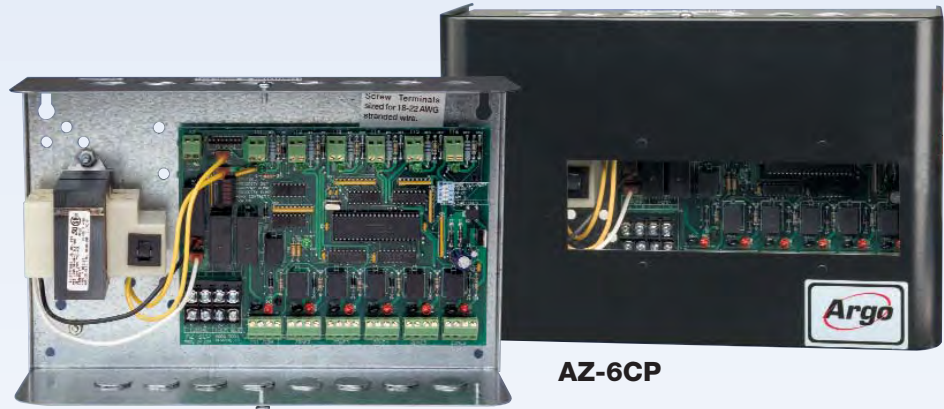


## AZ-4CP/AZ-6CP Four and Six Zone Valve Controls with Built-in Circulator or Zone Valve Priority Option

**Ideal**

### For Indirect Hot Water Applications

- Choice of circulator or zone valve for priority
- Optimum performance with circulator priority, increasing hot water flow up to 20%
- Option for tankless coil boiler applications



**AZ-6CP**

### Application Flexibility

- Four (AZ-4CP) or six (AZ-6CP) zone valve controller with priority
- Switchable priority (ON/OFF)
- Priority zone is field configurable for use with either circulator or zone valve
- Controls three or four wire 24v zone valves



### Installation and Service Features

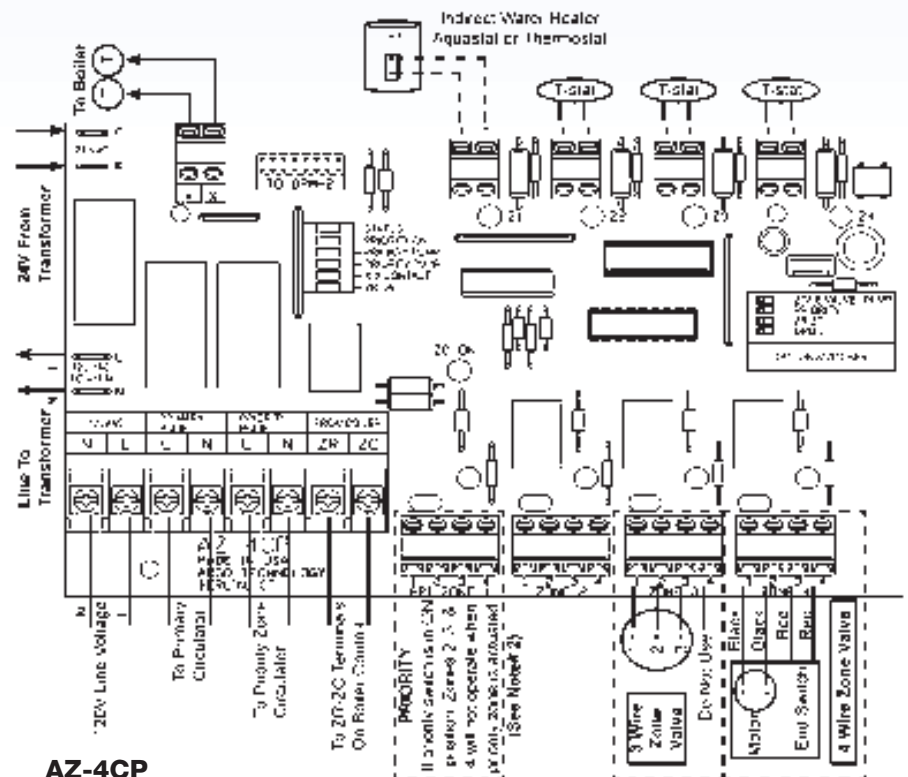
- Front window with clearly visible LED diagnostic lights showing zones calling and those satisfied
- Design is compatible with all types of thermostats, and ensures that relays energize with power robbing thermostats
- Auto reset fuse prevents service calls
- Expandable to 10 zones with Priority utilizing two AZ Controls
- Clearly marked terminal for easy and accurate installation
- Five year limited warranty, 100% factory tested

### Wiring Diagram Notes:

1. The switching relay terminals are approved for use with copper wires only. Torque terminal block screws 6 to 7 inch pounds.
2. When using a priority zone circulator, a jumper is required between terminals 3 and 4 of Priority Zone 1. This jumper is not required when using a zone valve.

### Electrical Specifications

MODEL NUMBER	ZONES	TRANSFORMER VOLTAGE	RELAY SWITCHING ACTION	MAX. TOTAL AMP DRAW
<b>AZ-4CP</b> 	4	120V / 60Hz / 40Va	SPST	7.2A
<b>AZ-6CP</b> 	6	120V / 60Hz / 75Va	SPST	7.2A



**AZ-4CP**

# AZ-3/AZ-5 Three and Five Zone Valve Controls



## Electrical Specifications

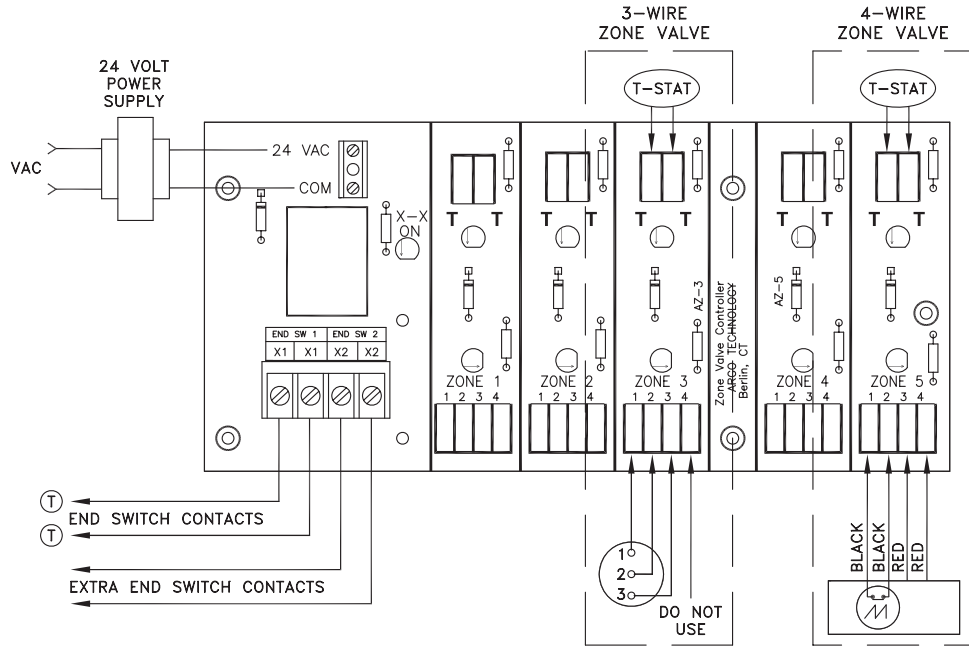
MODEL NUMBER	ZONES	TRANSFORMER VOLTAGE	END SWITCH CONTACT RATING
<b>AZ-3</b>	3	120V / 60Hz / 40Va	5A-1/8 HP @120VAC
<b>AZ-5</b>	5	120V / 60Hz / 75Va	5A-1/8 HP @120VAC

## Application Flexibility

- Three (AZ-3) or five (AZ-5) zone valve controller
- Controls three or four wire 24v zone valves

## Installation and Service Features

- LED diagnostic lights for easy troubleshooting
- Clearly marked terminal for easy and accurate installation
- 5 year limited warranty, 100% factory tested



### Wiring Diagram Note:

Install with jumper between terminals 3 and 4 when using zone valve without an end switch.

## DPM2 Outdoor Reset Control

The DPM2 monitors outside temperature and adjusts boiler water temperature to match the outdoor demand – maximizing efficiency and reducing boiler usage.

- Simple plug 'n play data port ribbon connection when used in conjunction with any Argo Relay or Zone Valve Control
- Or can work with most competitors' relays
- Reduces heating costs an average of 10% to 15% a year (depending on climate).



### STANDARD EQUIPMENT:



Outdoor Sensor with Shield



Strap-on Supply Water Sensor



Data Port Ribbon Cable Connector



2201 Dwyer Ave., Utica, New York 13501  
 Phone: 315-797-1310 • Fax: 866-432-7329  
 www.argocontrols.com  
 E-mail: info@ecrinternational.com

**Contractor Technical Service: 800-325-5479**

An ECR International Brand

**In Canada Contact:** ECR International Ltd. - 6800 Base Line, Wallaceburg, Ontario, Canada N8A 5E5  
 Ph: (519) 627-0791 • Fax: (519) 627-4719 • Web: www.ecrltd.com • E-mail: info@ecrltd.com