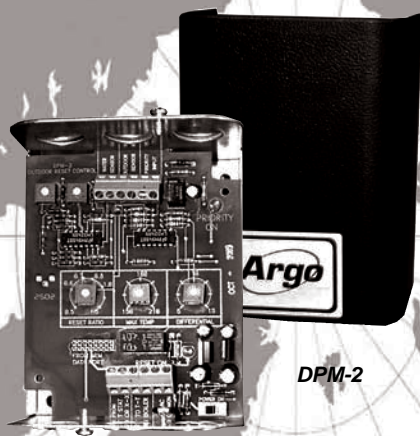


INSTALLATION MANUAL AND OPERATING INSTRUCTIONS

ARGO DPM-2 OUTDOOR TEMPERATURE SETBACK CONTROL

Argo



DPM-2

ARGO (Technical Support)
2201 Dwyer Avenue
Utica, NY 13501

(Corporate Sales)
85 Middle Road
Dunkirk, NY 14048
www.argocontrols.com


An **ECR International Brand**
An ISO 9001-2000 Certified Company



P/N 240005132, Rev. A [06/08]

INSTALLATION MANUAL AND OPERATING INSTRUCTIONS

TABLE OF CONTENTS

I	Safety Symbols and Warnings.....	4
II	Introduction.....	5
III	Product Description and Specifications....	5
IV	DPM-2 Control Board Diagram.....	6
V	DPM-2 Control Mounting Instructions.....	7
VI	Electrical Specifications & Wiring.....	8
VII	DPM-2 Setup.....	9
VIII	Wiring Applications.....	10
IX	Sequence of Operation.....	13
X	Troubleshooting.....	14
XI	Replacement Part List.....	16
XII	Technical Support.....	16

RETAIN THIS MANUAL FOR FUTURE REFERENCE

I - SAFETY SYMBOLS AND WARNINGS

The following defined symbols are used throughout this manual to notify the reader of potential hazards of varying risk levels.

DANGER

Indicates an imminently hazardous situation which, if not avoided, will result in death or serious injury.

WARNING

Indicates a potentially hazardous situation which, if not avoided, could result in death or serious injury.

CAUTION

Indicates a potential hazardous situation which, if not avoided, may result in minor or moderate injury. It may also be used to alert against unsafe practices.

IMPORTANT: *Read the following instructions completely before installing!!*

WARNING

All installations should be done only by a qualified expert and in accordance with the appropriate Argo manual. Installing an electric appliance with improper methods or materials may result in serious injury or death due to fire.

II - INTRODUCTION

This manual is intended to familiarize the installer and user of the Argo DPM-2 Outdoor Temperature Setback Control with its installation and operation to assure normal trouble-free operation.

Argo controls are designed and manufactured with quality components for maximum life and durability and require minimal service. To ensure a satisfactory installation, it is imperative that the instructions be followed carefully before operating the control. Failure to do so may result in breach of warranty.

III - PRODUCT DESCRIPTION AND SPECIFICATIONS

The DPM-2 Outdoor Temperature Setback Control is designed to raise or lower the temperature of the boiler supply water based upon a proportionate drop or rise in temperature at the outside sensor. This control plugs into Argo control equipment with a data port or as a stand alone device that can be easily wired into almost any system.

TECHNICAL SPECIFICATIONS

Power Supply: 20-28 VAC / 2 VA

Relay Capacity: 24 VAC / 48 VA

Sensor: 1005 Ohms at 70° F
(accurate up to 500' with 18 gauge wire)

**See "RTD Sensor Troubleshooting" in Section X for more information.*

ADJUSTMENTS

Reset Ratio: 0.5-1.5

Max. Temp: 150°-210°

Differential: 5°-15°

IV - DPM-2 CONTROL BOARD DIAGRAM

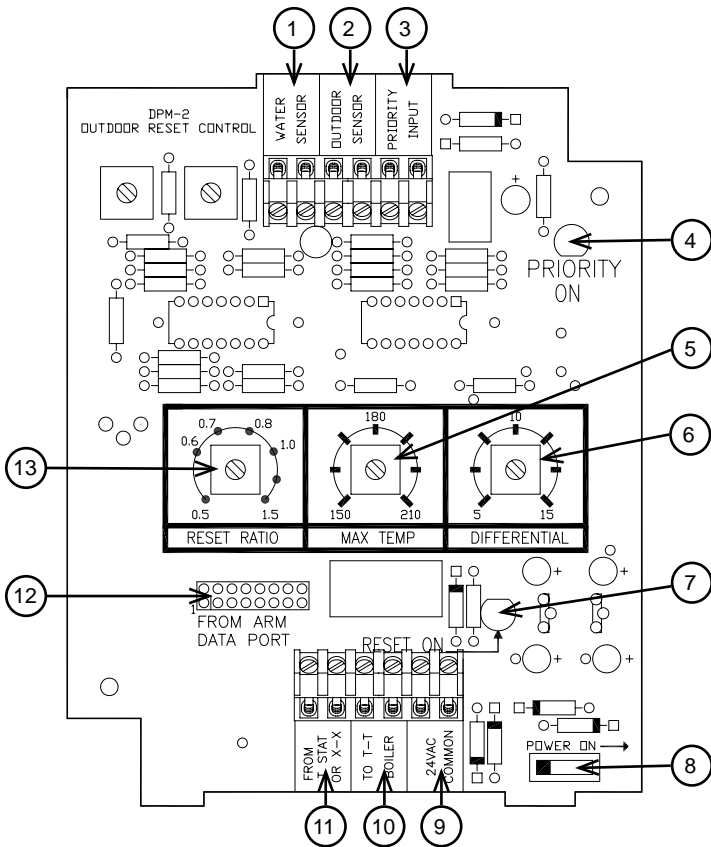


DIAGRAM KEY

1. Water Sensor Terminal Block
2. Outdoor Sensor Terminal Block
3. Priority Input Terminal Block
4. Priority LED
5. Max. Temp. Trim Pot
6. Differential Trim Pot
7. Reset On LED
8. Power Switch
9. 24 VAC "IN"/Common Terminal Block
10. To Boiler T-T Terminal Block
11. From T-Stat or X-X Terminal Block
12. Ribbon Cable Data Port
13. Reset Ratio Trim Pot

V - DPM-2 CONTROL MOUNTING INSTRUCTIONS

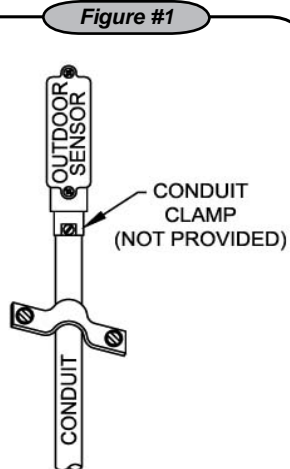
Mount the Argo DPM-2 Control vertically on a solid wall or partition. For your convenience it is recommended that the control be mounted as close as possible to the device being controlled, however it should never be mounted more than 75 feet away. Select a location that is easily accessible for installation and service.

NOTE: To reduce the possible transformer hum and relay noise that is sometimes amplified by mounting surfaces such as sheet metal, plasterboard, and similar materials, place rubber or felt washers between the case and the mounting surface.

1. Position the control and mark the mounting holes.
2. Start screw (not provided) in the keyhole type mounting hole in the upper right hand corner. Tighten the screw down to about $\frac{1}{8}$ " (3mm) from the surface.
3. Hang and level the control on the screw and start the bottom left hand screw.
4. Tighten all screws.

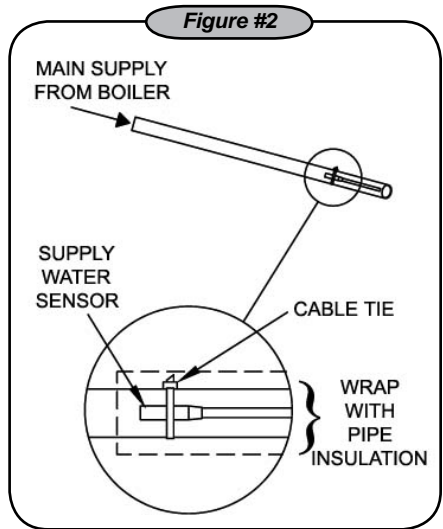
Outdoor Sensor Installation

IMPORTANT: Install outdoor sensor (provided with DPM-2) on the north side or a shaded side of the building. Locate a minimum of 10 feet above grade and not near any location where internal heat could affect the sensor rating, such as window, doors, exhaust vents or fans. (*Figure #1*)



Water Supply Sensor Installation

Install the supply water sensor on the common header within 5 feet of the supply water tapping in the boiler. (**Figure #2**)



IFICATIONS & WIRING



ELECTRICAL SHOCK HAZARD! Disconnect power before installing or servicing. Can cause severe personal injury, death, or substantial property damage if ignored.

GENERAL WIRING NOTICE

All primary wiring must be 14 AWG minimum. Torque terminal screws 6 to 7 inch pounds.

U.S.A. - National Electric Code and any other national, state, or local code requirements. Wiring must be N.E.C. Class 1.

CANADA - C.S.A. C22.1 Canadian Electrical Code Part 1 and any other national, provincial, or local code requirements. Wiring must be C.S.A. C22.1 C.E.C. Part 1.

VII - DPM-2 SETUP

COMMON TERMINOLOGY

RESET RATIO: The ratio between supply water temperature and outdoor temperature. For example, a ratio of 1.0 or 1:1 means that, for every one degree that the outdoor temperature decreases, there will be a one degree increase in supply water temperature.

MAX. TEMP: The maximum supply water temperature when the outdoor temperature is 0°F.

DIFFERENTIAL: A measurement used to determine when the boiler will turn on and off. A ten degree differential will turn the boiler on at five degrees below the control point and off at five degrees above while a twenty degree differential will turn the boiler on at ten degrees above and off at ten below. The effect of differential is to prevent quick cycling of the boiler.

TO SET UP THE DPM-2 CONTROL

1. Determine the reset ratio and adjust the “Reset Ratio Trim Pot.” If the heat curve is unknown, try a ratio of 1.0.
2. Turn the “Max. Temp. Trim Pot” to the design temperature of the supply water (the water temperature needed when the outdoor temperature is 0°F).

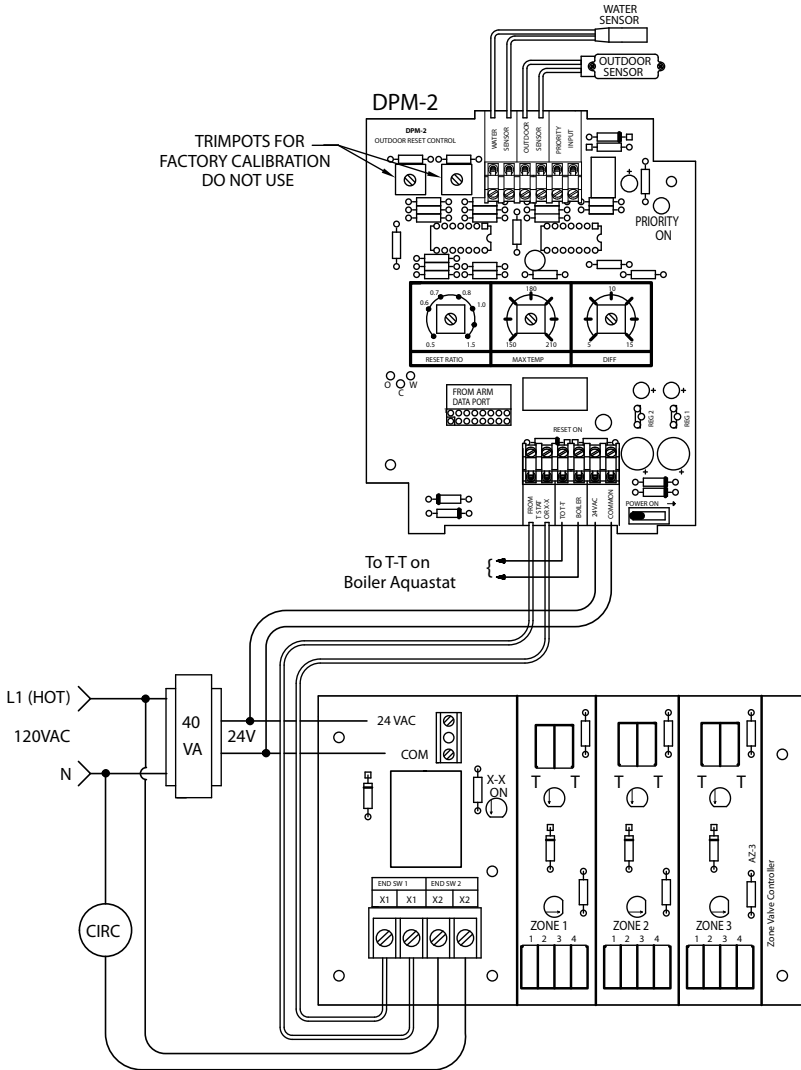
IMPORTANT: Boiler high limit must be set higher than the “Max. Temp.” setting plus the “Differential” or the unit may operate erratically.

3. Set the “Differential Trim Pot” to scale (10°F). The boiler will turn off when the water is 5°F above the control point and back on again when the water is 5°F below the control point. If the boiler does “Quick Cycle,” increase the trim pot. Optimal performance is obtained when this setting is as low as possible, but still allows for a reasonable cycle time.

VIII - WIRING APPLICATIONS

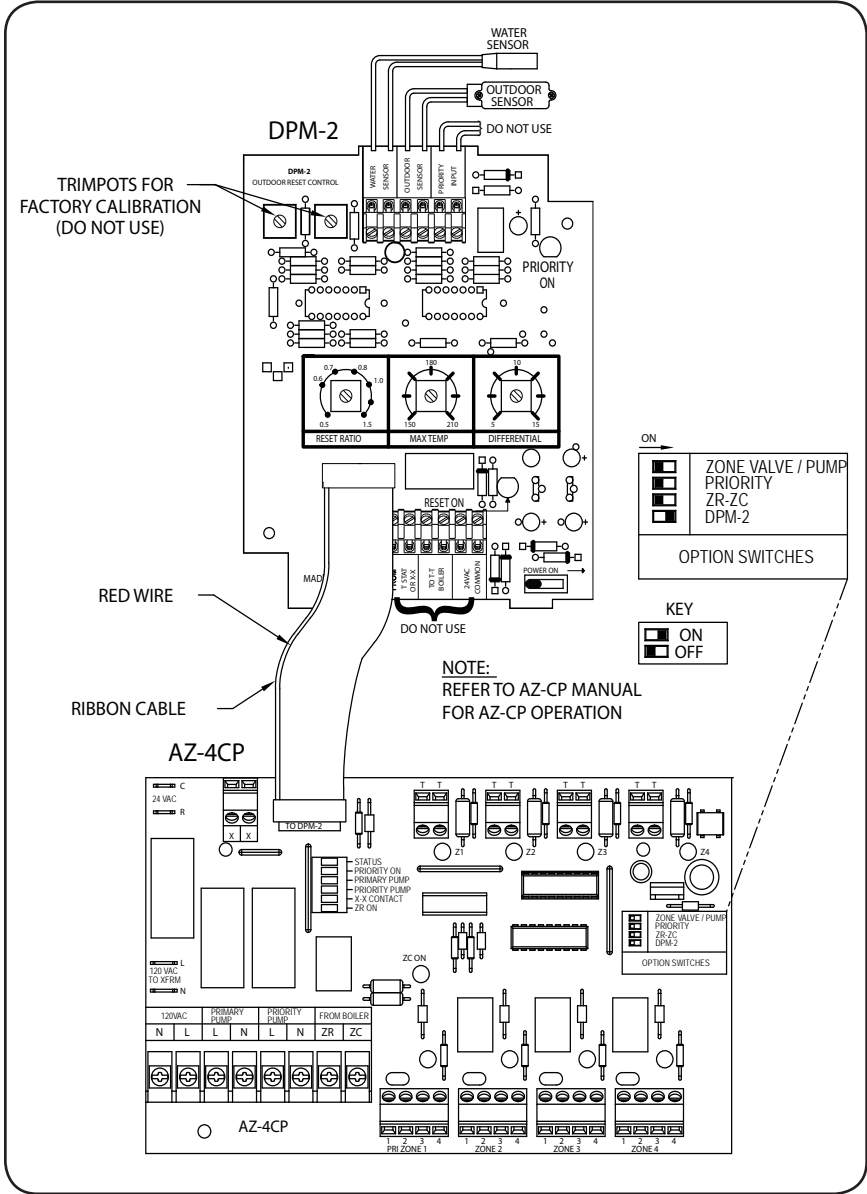
DPM-2 OUTDOOR TEMPERATURE SETBACK CONTROL WITH ARGO AZ-3 ZONE VALVE CONTROL

TYPICAL WIRING APPLICATION USING DPM-2 OUTDOOR RESET WITH ARGO AZ-3 ZONE VALVE CONTROL



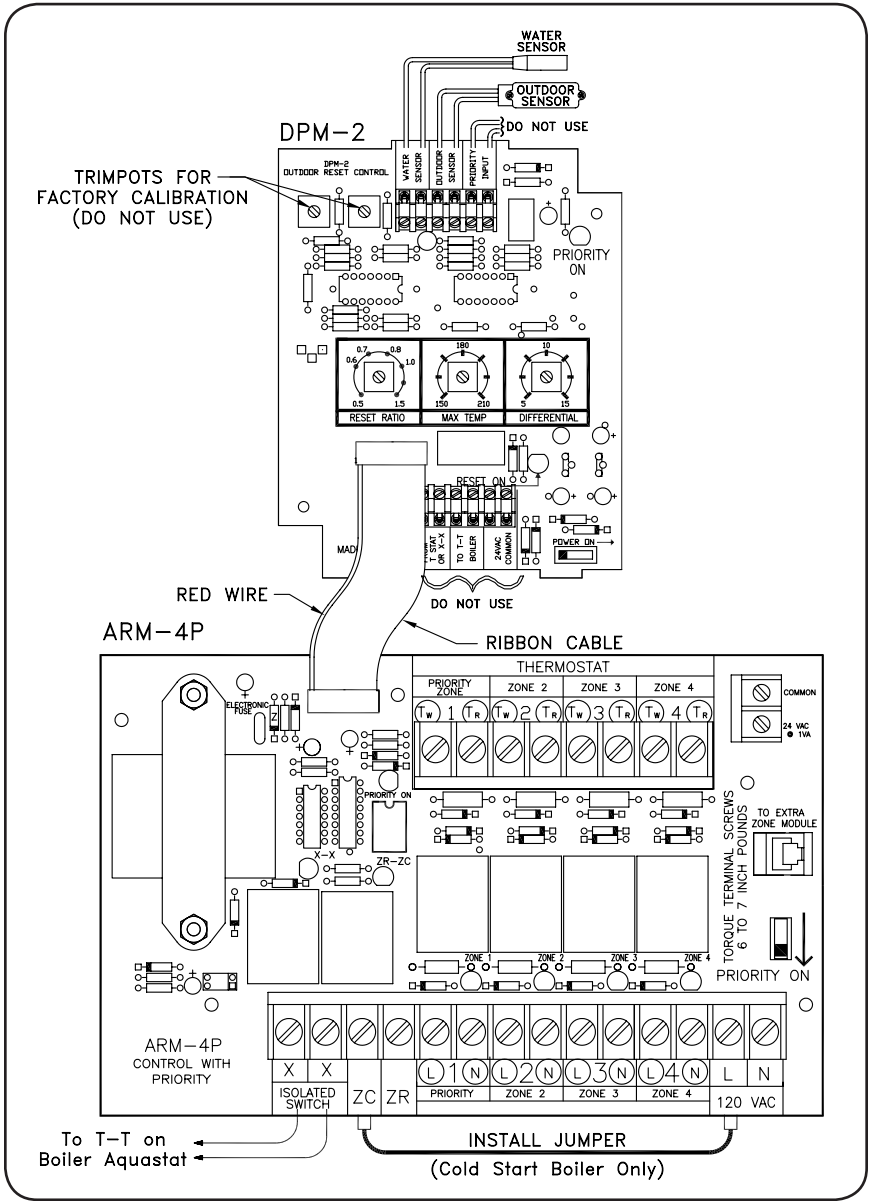
VIII - WIRING APPLICATIONS

DPM-2 OUTDOOR TEMPERATURE SETBACK CONTROL WITH ARGO AZ-4CP CONTROL



VIII - WIRING APPLICATIONS

DPM-2 OUTDOOR TEMPERATURE SETBACK CONTROL WITH ARGO ARM-4P CONTROL



IX - SEQUENCE OF OPERATION

NOTE: The DPM-2 is designed to operate in conjunction with several Argo controls via a ribbon cable but may also be used with other manufacturers' controls. The following assumes that the application is a ribbon cable to a standard zone control.

1. The zone control and the associated boiler should be functioning properly in all respects prior to evaluating the DPM-2. Remove the ribbon cable and verify proper system operation before continuing.
2. Connect the DPM-2 to the zone control using the supplied ribbon cable in accordance with the wire diagram for your specific application (*See Section VIII of this manual for examples.*)
3. With the DPM-2 "Power On" switch in the "On" position, there should be 24 VAC across the lower terminals labeled "24 VAC and Common."
4. The high limit control on the boiler should be set to a higher temperature than the "Max. Temp." setting on the DPM-2. (*See Section VII for more information.*)
5. The "Priority On" LED should be on when the "Priority Zone" terminals on the zone control are jumped. The small relay near the LED should also be heard energizing.
6. When the DPM-2 "Reset On" LED is illuminated, the X-X relay on the zone control should be off. When the "Reset On" LED is off, the X-X relay should be on if a zone is calling for heat.

X - TROUBLESHOOTING

RTD SENSOR TROUBLESHOOTING

To confirm that the RTD Sensor is functioning properly:

1. Remove both RTD leads from the terminal block on the control board.
2. Use a multimeter to take an ohm reading across the RTD leads. A properly functioning RTD Sensor will produce a reading of approximately 1005 ohms at 70°F while a faulty RTD will read either "0" or "1."
3. Replace RTD if necessary.

TROUBLESHOOTING TIPS

1. If the setup check is okay, a problem may be due to a faulty sensor, faulty installation, or faulty wiring.
2. Disconnect the sensor wires from the DPM-2 terminals and measure the resistance between the wires. The measured resistance should be within 5% of the values in the table below. If the meter indicates an open or short you might suspect the wiring between the sensor and the DPM-2.
3. If the outdoor sensor disagrees with another outdoor thermometer, it may be located in direct sunlight. Reposition the sensor if necessary. **DO NOT PROCEED UNTIL BOTH SENSORS ARE PERFORMING PROPERLY.**

(Example following page)

X - TROUBLESHOOTING

EXAMPLE: *If the water sensor reads 1500 ohms and you estimate that the water is about 175°F, the water sensor is okay. If the meter reads 1400 ohms or 155°F, you might suspect the thermal connection between sensor and the pipe.*

OUTDOOR SENSOR		WATER SUPPLY SENSOR	
Degrees	Ohms	Degrees	Ohms
5	758	149	1368
14	789	158	1413
23	822	167	1459
32	855	176	1506
41	889	185	1554
50	924	194	1602
59	960	203	1652
68	997	212	1702
77	1035	-	-

NOTE: *The Outdoor Sensor and Water Supply Sensor are interchangeable and may be reversed to assist the troubleshooting process.*

XI - REPLACEMENT PARTS

DESCRIPTION	PART NUMBER
Temperature Sensor	Z63
Outdoor Sensor Shield	S60

XII - TECHNICAL SUPPORT

For technical support on this and all Argo products, please contact ECR International Technical Service at 1-800-325-5479. Please have the following information available when calling:

Model Number: _____

Installation Date: _____

Installer: _____

