



ARH Hydro-Air Zoning Controls

Your Easiest Interface Between the Thermostat and Air Handler

ARH-1 Single Zone



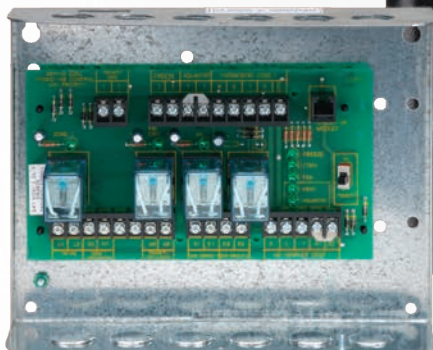
Argo® Hydro-Air Controls provide the easiest way to interface between the thermostat and the air handler.

These dependable control relays will control from 1 to 20 zones of heating/cooling and provide priority switching for domestic hot water. Boiler and A/C condenser wiring is virtually fool proof.

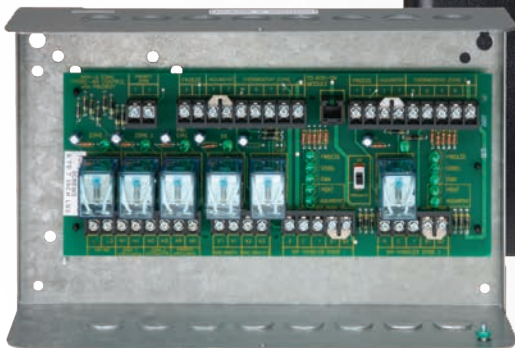
Features:

- Choice of 3 models:
 - Single Zone/Expansion Module
 - Two Zone with Priority
 - Three Zone with Priority
- All ARH Models have plug-in connectors for easy expansion -up to 20 zones
- Multiple terminals for 2-speed air handlers
- Connection for Optional Freeze Sensor
- Switchable priority for domestic hot water applications
- LED diagnostic lights for easy troubleshooting
- Includes strap-on bi-metal Aquastat to prevent "cold air" circulation in heating mode
- 5-Year Limited Warranty
- 100% quality controlled and factory tested

ARH-2 1 Air Handler & 1 Priority



ARH-3 2 Air Handler & 1 Priority



The Difference is in the Details

ARH Hydro-Air Zoning Controls

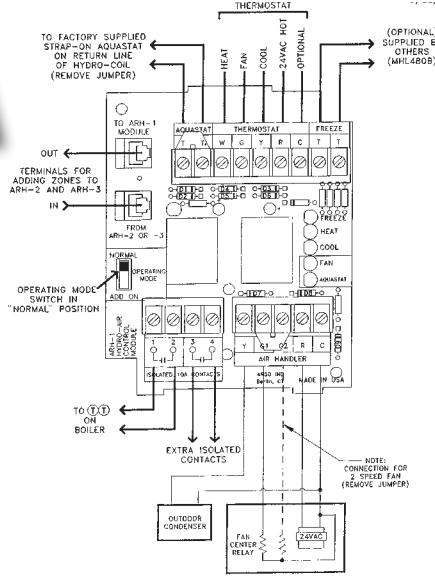


- ARH-1 Single Zone
- ARH-2 1 Air Handler & 1 Priority Zone
- ARH-3 2 Air Handler & 1 Priority Zone

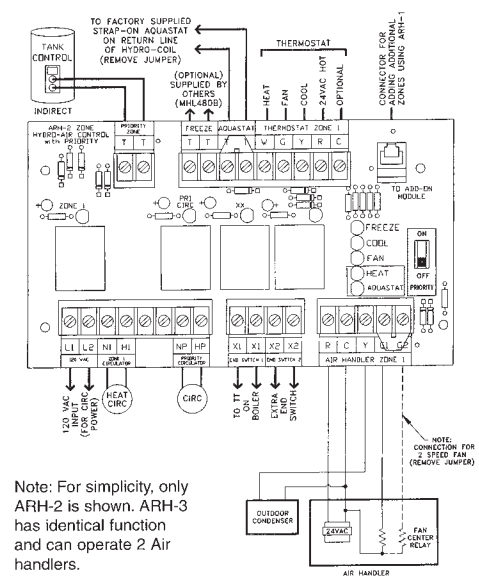
ARH Series Specifications:

- Thermostat Current: 85 mA
- Circular Relays Rated 10 A at 120 Vac
- End Switch Rated 10 A at 120 Vac
- Includes Strap-on Bi-metal Aquastat for Hot Water Coil: Fits 3/8" to 3/4" tubing
 - ON at 118°F ± 5%
 - Off at 95°F ± 5%
- ARH-1 can also be used as a one zone expansion module for ARH-2 or ARH-3. 18" connector cable is included.

ARH-1
Single Zone Hydro-Air Control



ARH-2
1 Air Handler & 1 Priority Zone



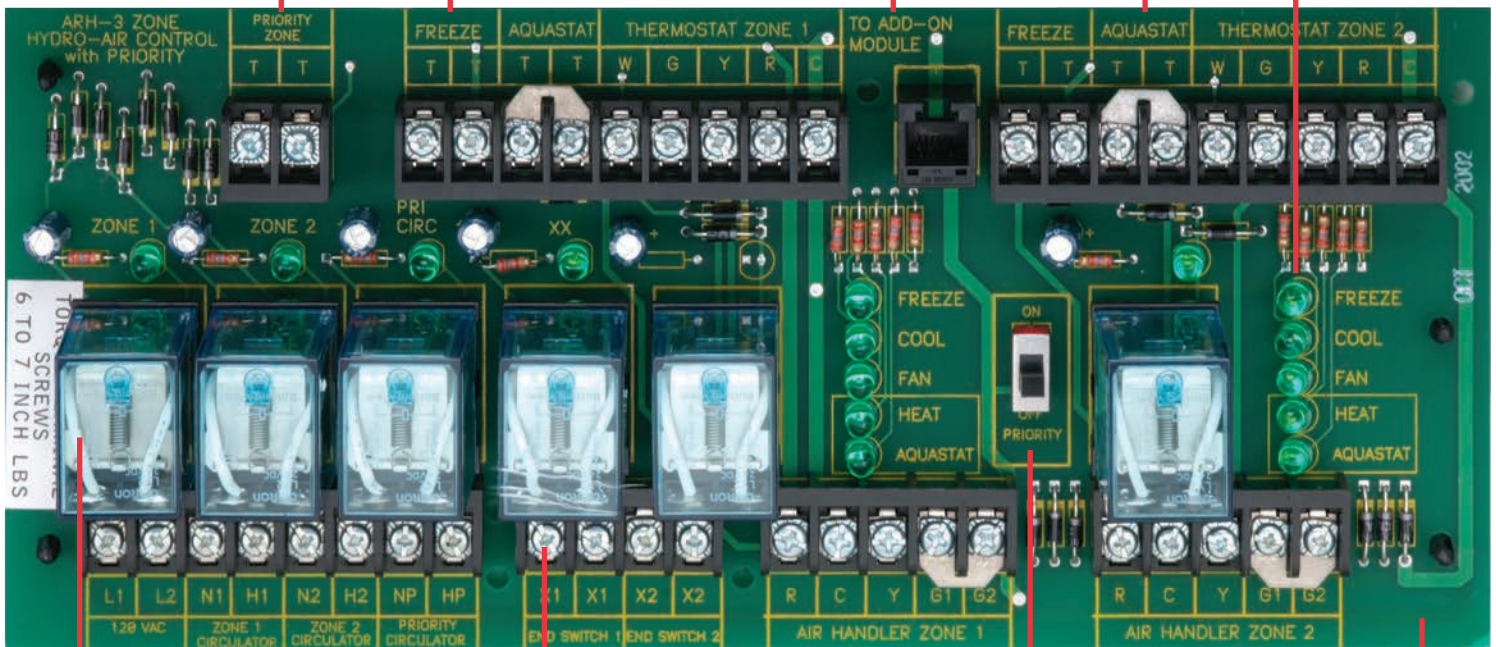
When used with Indirect Water Heaters, priority feature allows all hot water circulation to stop except for priority zone.

Freeze-Stat Terminals for Optional Sensor - to prevent freeze-ups in unheated locations.

Plug-in Zone Module makes adding a zone easy and economical

Factory supplied Strap-on Aquastat fits one Hot Water Coil to prevent "cold air" circulation in heating mode.

LED Diagnostic Lights for easy troubleshooting.



Premium Plug-in Replacement Relays for long life. High relay load rating of 10 A.

Clearly Marked Terminals with Clamping Plates and plenty of room for wiring.

Switchable Priority improves versatility.

Reliable Double Sided Printed Circuit Board construction 100% factory tested.



2201 Dwyer Avenue, Utica, NY 13501
Tel. 315 797 1310
www.ecrinternational.com

All specifications subject to change without notice.
©2021 ECR International, Inc.
PN 240004985 REV. [08/27/21]